

Adept T20 Pendant



The Adept T20 Manual Control Pendant provides an ergonomic and durable package with which users can manually teach a robot. The T20 pendant is an extremely compact, lightweight device, which can be operated with one hand. This means that the other is constantly available for process support activities. It is designed for right-handed and left-handed use. The T20 pendant has a high-performance OLED display. Such displays are extremely energy-efficient and due to their high contrast, offer outstanding legibility. This brilliance permits maximum resolution, allowing the presentation of large amounts of information on a compact screen.

Safety First

Emergency Stop switch (dual channel circuit).

Ergonomic Design

- Enable switches on back
- Gripping and holding positions
- Promote fatigue-free operation
- Lightweight
- Bright display with backlight and contrast adjustment

Rugged Design Holds up on the Factory Floor

The T20 Pendant is designed with a double-walled housing to reduce the effect of an impact on the display. The T20 Pendant is tested for a 1.5 meter drop onto industrial flooring.

The T20 Pendant is compatible with new systems incorporating the Adept SmartController EX and also compatible with the Adept Cobra ePLC600 and ePLC800 robots. Custom messages can be displayed on the screen to use the pendant as an operator interface for example.

The T20 Pendant Kit Includes

- T20 Pendant with cable attached
- Connection cable with bulkhead connector
- Bypass plug for jumpering E-Stop when pendant is removed
- User Documentation

Software Features

When connected to SmartController-based systems, the T20 Pendant provides the following software functionality.

- Control the robot by enabling and disabling power and jogging the robot.
- Teach locations.
- Display robot position, digital I/O, system status, system identification and error messages.
- Set digital Output
- Change Tool

See user's documentation for complete functionality.

Hardware Features

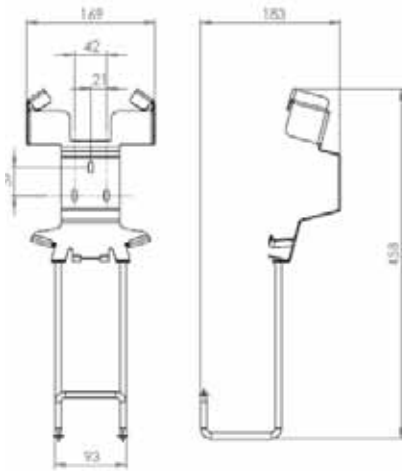
Measure	Length: 226 mm
	Width: 82 mm resp. 162 mm
	Total height: 55 mm
Weight	480 g (without hand wheel)
Cable Length	10m standard
Display	
OLED-Display with graphical capacity	
Size:	3,4" (75 x 42 mm)
Resolution:	PSP 480 x 272 pixels
Presentation:	65536 colours
Touchscreen:	analogue-resistive (optional)
Back light	yes
Safety	
1 Emergency Stop switch	
1 Enabling switches (3-Position)	
Operating Temperature	0 - 45°C
Relative Humidity	5 - 95%
Shock Resistance	25g / 11 ms (IEC 60068-2-27)
Ingress Protection	IP65
CE complaint	

ADEPT T20 PENDANT

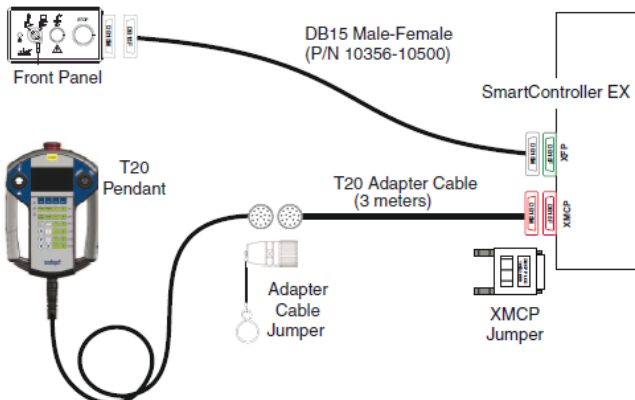
Dimensions Adept T20 Pendant (mm)



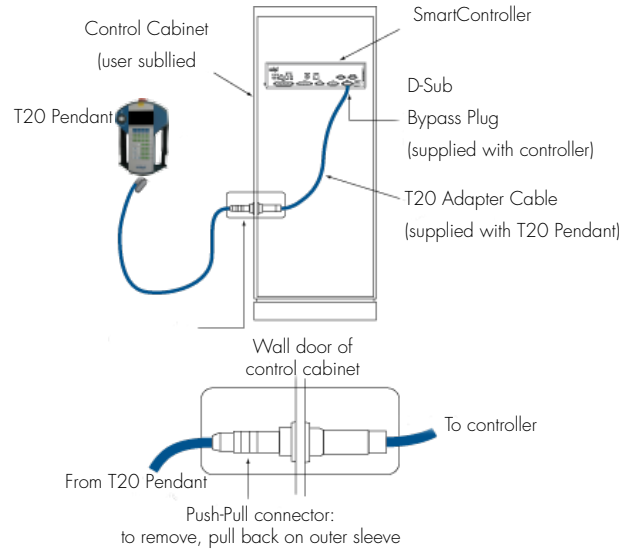
Wall Bracket Dimensions - Optional (mm)



Panel and Frontpanel Installation



Connection to Controller



Ordering:

- T20 Pendant with 10 m cable 10046-010

Recommended Options:

- Wall bracket with cable hanger 10079-000

For More Information:

Call (763) 682-9548 or (800) 226-6385.

Download CAD files for the Adept T20 from

<http://www.adept.com/support/downloads/file-search>



Adept Technology, Inc. 5960 Inglewood Drive, Pleasanton, CA 94588

Tel: 925-245-3400 Fax: 925-960-0452 Email: info@adept.com

www.adept.com

Specifications subject to change without notice.

©2013 Adept Technology, Inc. ALL RIGHTS RESERVED. The information provided in this communication or document is the property of Adept Technology, Inc. and is protected by copyright and other intellectual property laws. In addition, any references to any Adept Technology, Inc. products are the marks and property of Adept Technology, Inc. [and may be registered trademarks]. All other trademarks or tradenames are the property of their respective holders.

